



XDs Beavertail Installation

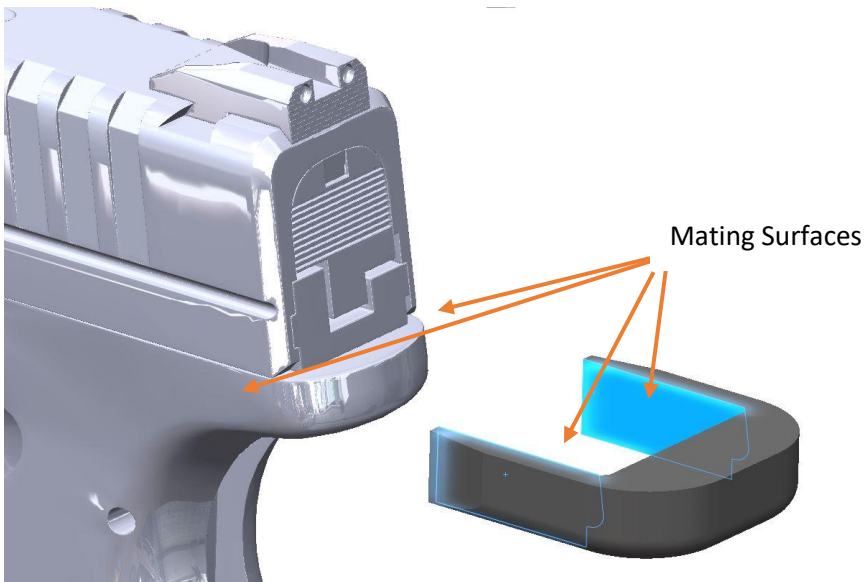
Please read all instructions before attempting installation.

Equipment needed:

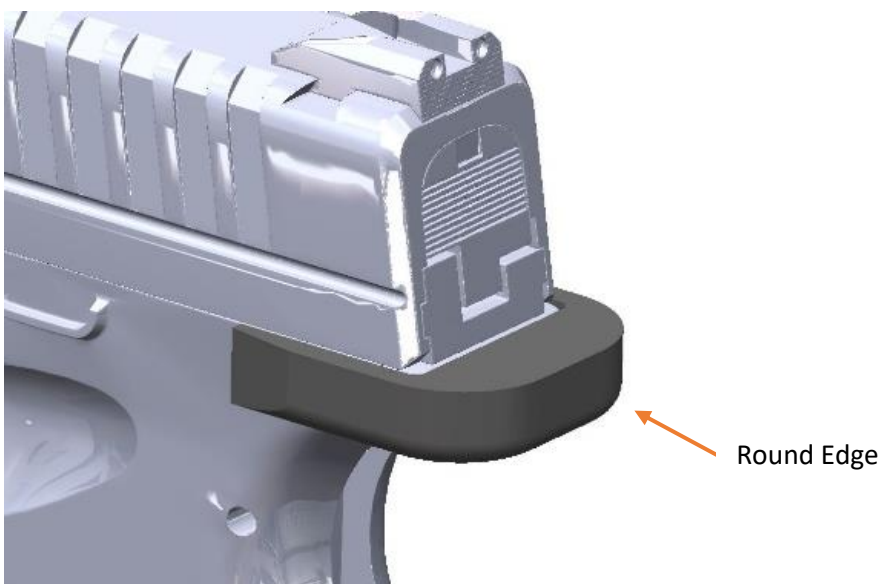
- Beavertail
- Rubbing alcohol or similar degreaser that doesn't leave residue.
- Cyanoacrylate based glue (Super Glue, Krazy Glue, Loctite Super Glue, etc.)

Installation:

1. **Unload and clear the firearm.**
2. Remove the slide.
3. Clean all mating surfaces with alcohol and allow to dry.



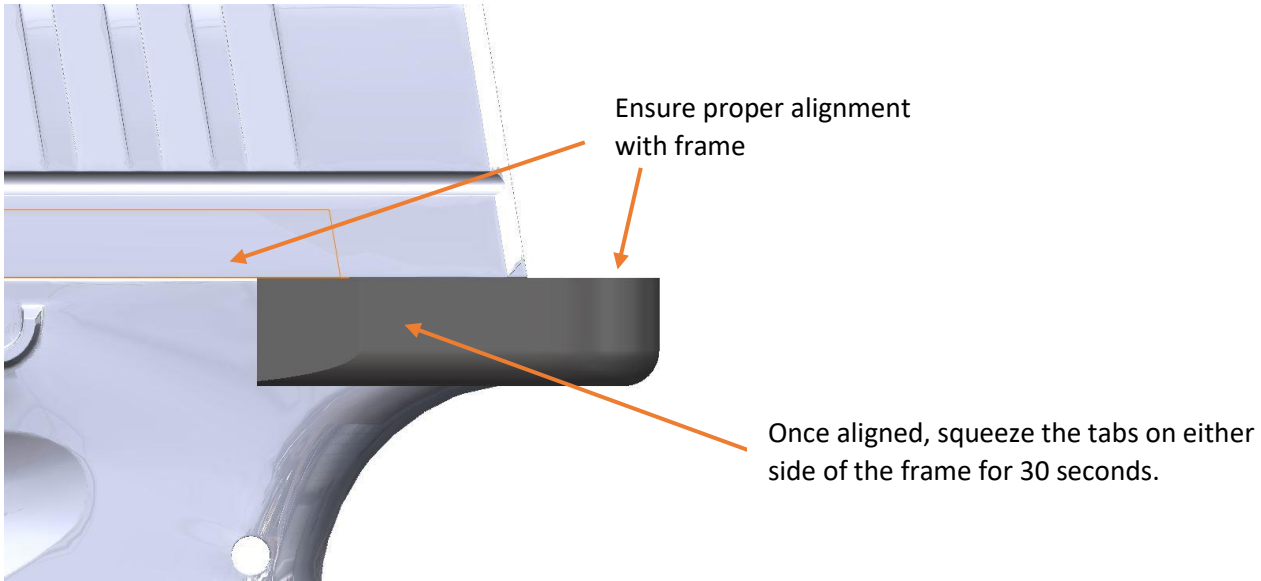
4. Apply a thin layer of glue to the Beavertail's mating surfaces and immediately fit into place. Notice the round edge is facing down.





XDs Beavertail Installation

5. Work quickly to align beavertail with the frame, and then squeeze tabs against the frame and hold for 30 seconds.



6. Reinstall the slide and check for proper clearance by locking the slide back. There should be an even, noticeable gap between the Beavertail and the slide.



7. Allow glue to set for 24 hours before use.

Cleanup:

Acetone can be used to remove glue without damaging the frame or beavertail.